

A photograph of a grey shingled roof with a silver metal roof vent. The vent has a spherical top and a cylindrical body. Two skylights are visible on the roof. Green leaves of a tree are in the foreground and on the right side. The sky is clear blue.

# ANTARES

Roof Vent

...exhaust air at its best



# ANTARES

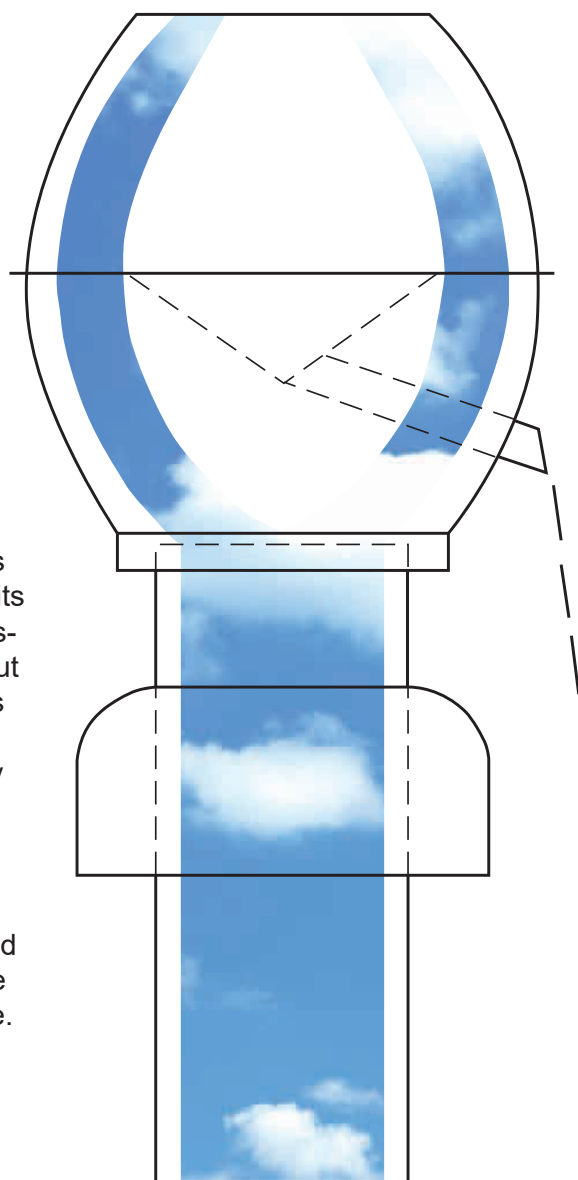
Roof Vent

This ventilation cap should not be missing on any ventilation pipe, as the ANTARES delivers an unequalled performance due to its form offering very low resistance to the air flow.



At the heart of this ventilation cap lies its barrel-shaped construction. The absolute best exhaust air is guaranteed as there is practically no friction loss!

The newly designed collar is applicable almost everywhere.





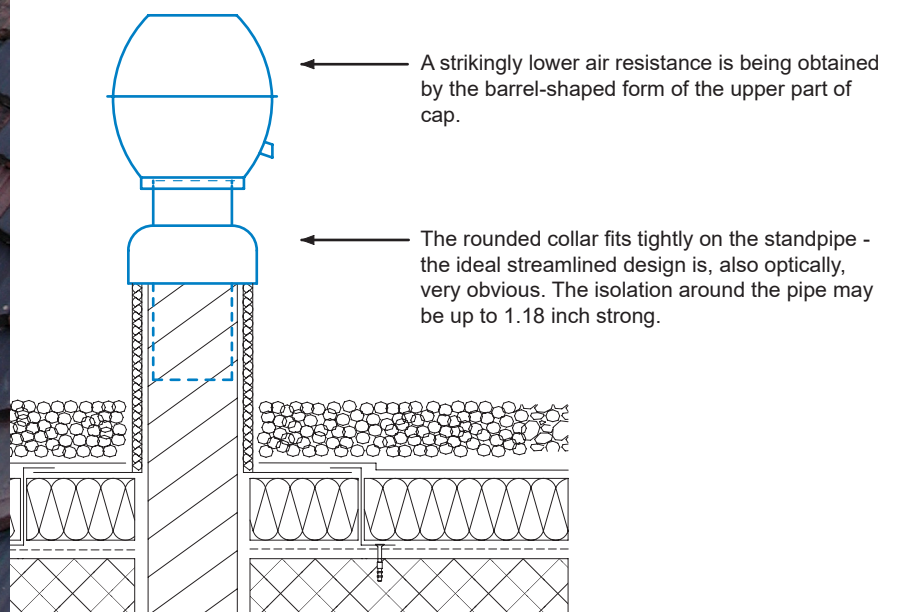
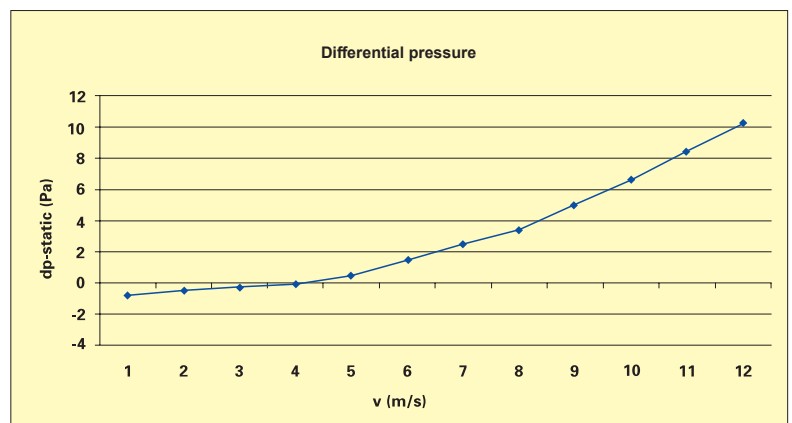
The internationally registered ANTARES is the most versatile among the ventilation caps. There is no part in the ventilation sector, where this product could not be used. The ANTARES Roof Vent is very compact and has no movable parts. This makes it very non-trouble-prone and also silent as it does not create disturbing wind noises.

Due to its streamlined form and low air resistance (see diagram), the air can exit without swirls and almost completely unrestrained. The ANTARES Roof Vent is captivatingly simple - even more surprising is its great exhaust air flow rate.

The rain is being collected in the funnel inside of the cap and being drained out into the open through a hose.

Also important: Never any tailback occurs!

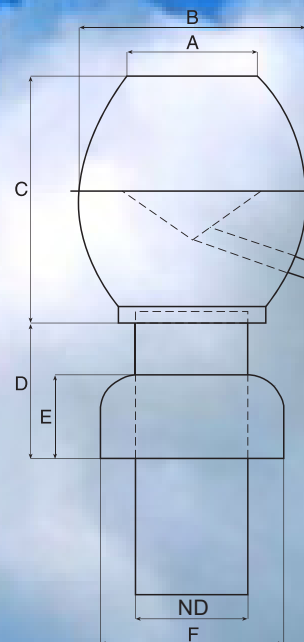
The standpipe comes with the collar already attached, so that the ANTARES Roof Vent can simply be put on the roof and that is that.





# ANTARES

Roof Vent



## Technical data

Nominal diameter	A	B	C	D	E	F
Ø 80	90	160	180	120	72	140
Ø 100	110	198	216	120	72	160
Ø 125	145	236	265	120	72	185
Ø 150	172	286	308	120	72	210

ANTARES Roof Vent with standpipe made of stainless steel sheet 1.4301



Copper  
ND Ø 3 inch



Titanium Zinc  
ND Ø 4 inch



Copper  
ND Ø 5 inch



Aluman  
ND Ø 6 inch

