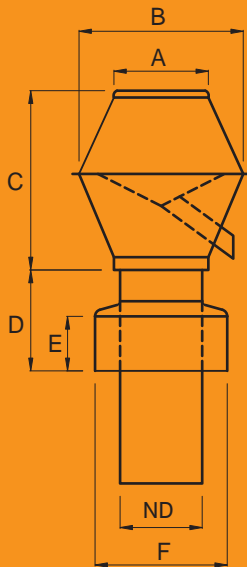




Roof Exhaust Vent OHNSORG Type AT

Roof Exhaust Vent with termination funnel. The optimal ending for climate and ventilation pipes of unparalleled quality: thanks to the original Ohnsorg termination funnel, it can be quickly and easily installed anywhere to provide years of maintenance-free service.



The Roof Exhaust Vent OHNSORG Type AT is available with a standpipe length of 250 mm, 500 mm, and 1000 mm.

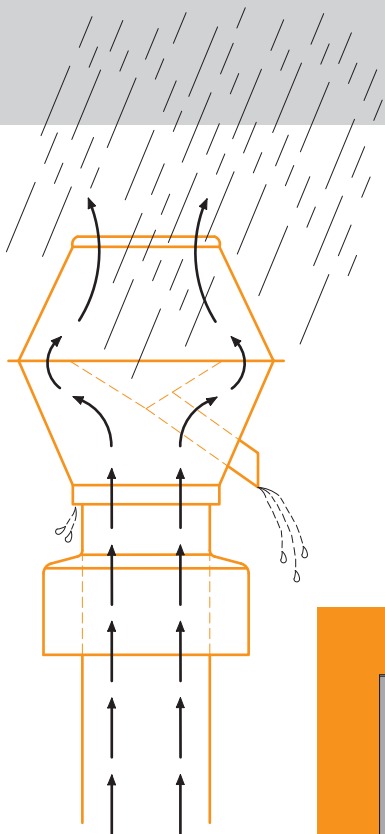
Technical Data

Nominal Diameter	A	B	C	D	E	F
80	105	160	200	120	70	140
100	115	200	210	120	70	160
125	150	255	250	120	70	185
150	170	295	290	120	70	210
160	170	295	290	120	70	220
175	200	335	330	120	70	235
200	230	375	360	120	70	260
250	280	460	440	120	70	310
300	330	525	500	120	70	360
350	380	625	580	120	70	410
400	430	710	610	120	70	460

Ohnsorg

Ohnsorg Söhne AG
Kamin- und Ventilationshüte
Knönerstrasse 5
6312 Steinhausen

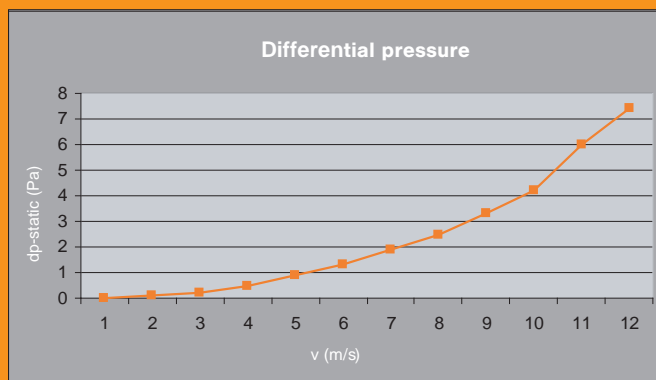
Telefon 041 / 747 00 22
Telefax 041 / 747 00 29
www.ohnsorg-soehne-ag.ch
info@ohnsorg-soehne-ag.ch



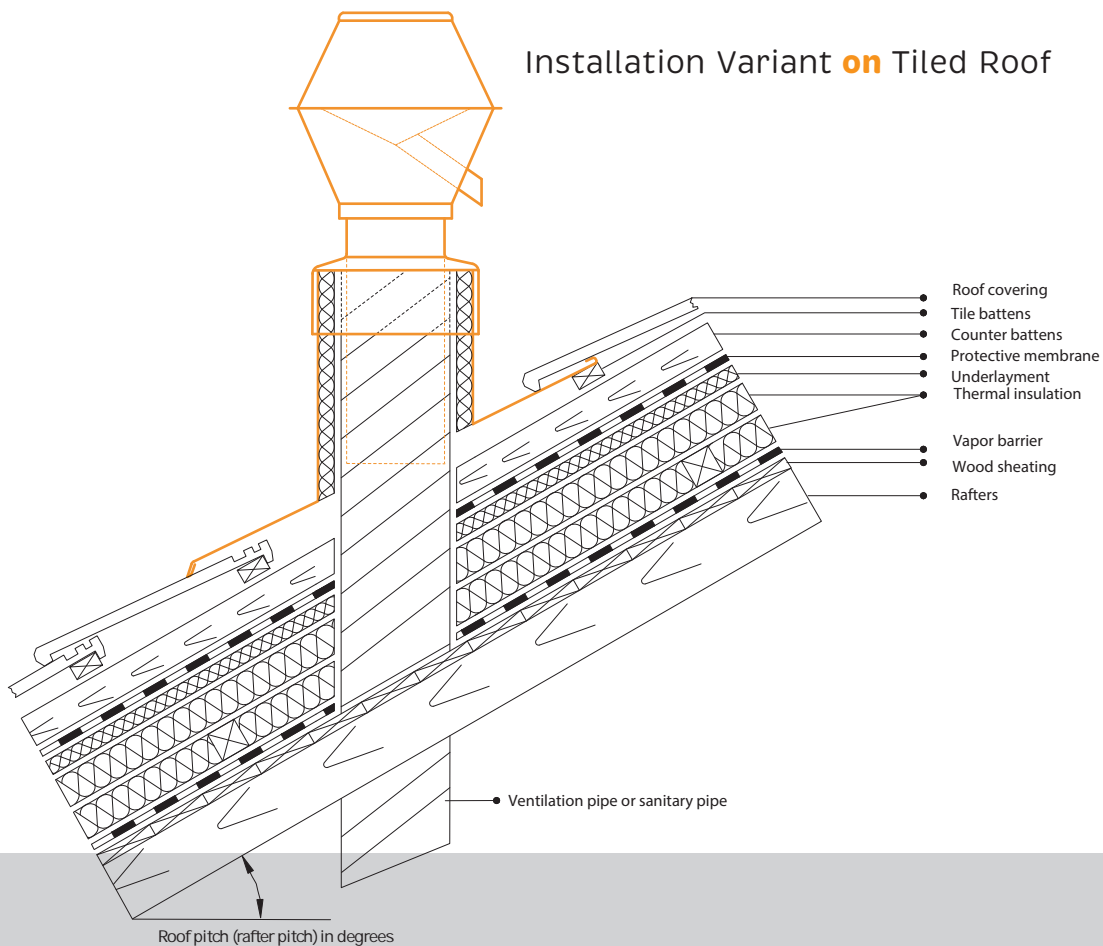
Functional Diagram

Tender Text:

Roof Exhaust Vent made of copper, Type AT NW Ø 100 mm with 250 mm long riser pipe including termination funnel. Manufacturer: Ohnsorg



Installation Variant on Tiled Roof

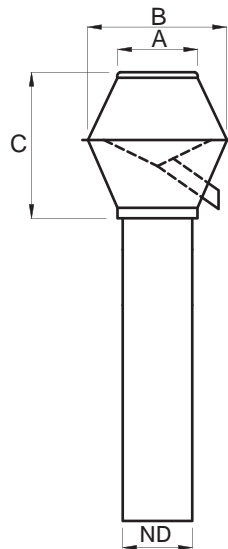


Ohnsorg

Ohnsorg Söhne AG
Kamin- und Ventilationshüte
Knonauerstrasse 5
6312 Steinhausen

Telefon 041 / 747 00 22
Telefax 041 / 747 00 29
www.ohnsorg-soehne-ag.ch
info@ohnsorg-soehne-ag.ch

Roof Exhaust Vent Type AR



The Roof Exhaust Vent Ohnsorg ensures unhindered exhaust air transport in any ventilation system and in all weather conditions. Backflow is prevented. The rain is collected and drained through the outlet.

Ausschreibungstext:

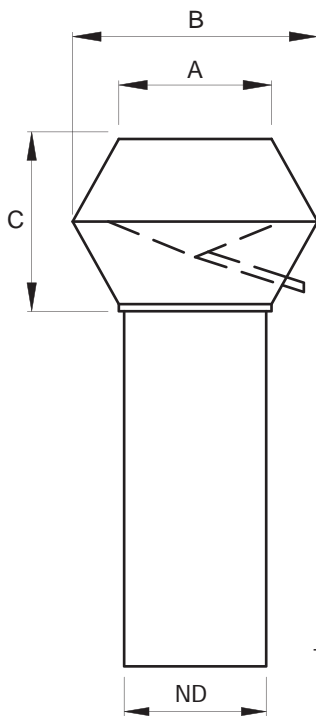
Abluftregenhut aus Cr.Ni.Stahl, Typ AR NW Ø 250 mm
mit Standrohr 1000 mm lang
Fabrikat: Ohnsorg

Der Ohnsorg Abluftregenhut Typ AR

Technische Daten

Nennweite	A	B	C
80	105	160	200
100	115	200	210
125	150	255	250
150	170	295	290
160	170	295	290
175	200	335	330
200	230	375	360
224	255	415	400
250	280	460	440
280	310	500	480
300	330	525	500
315	340	545	500
350	380	625	580
355	380	625	580
400	430	710	610
450	480	780	660
500	530	850	840
560	580	970	840
600	630	980	820
630	660	970	800
700	730	1160	910
710	740	1160	910
800	830	1320	900
900	930	1420	950
1000	1030	1520	1100

Roof Exhaust Vent Ohnsorg Type AE



The well-designed shape of the roof exhaust vent looks unobtrusive on both flat and sloped roofs, often even decorative. Optionally available with a connecting frame, end funnel, tray for sloped or flat roofs, and insulation. Available in all known sheet metal types, even in Copper-Titanium-Zinc, Uginox FTE, etc.

Tender Text:

Roof Exhaust Vent made of aluminum, Type AE NW 400 x 400 mm with upright duct 500 mm long
 Manufacturer: Ohnsorg

The Roof Exhaust Vent Ohnsorg Type AE

Technical Data

Nominal Diameter	A	B	C
200/ 200	230	420	290
250/ 250	280	490	320
300/ 300	330	570	360
350/ 350	380	640	390
400/ 400	430	720	435
450/ 450	480	790	460
500/ 500	530	860	490
550/ 550	580	940	565
600/ 600	630	1020	605
650/ 650	680	1090	635
700/ 700	730	1160	665
750/ 750	780	1240	705
800/ 800	830	1310	735
850/ 850	880	1390	780
900/ 900	930	1460	805
950/ 950	980	1540	850
1000/1000	1030	1620	880