

Finish Frame

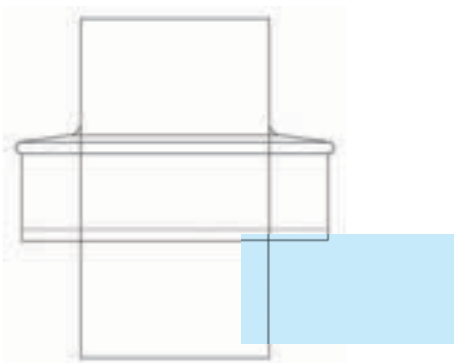
Even with the finishing frames, the 30 mm insulation, 50 mm insulation, and 80 mm insulation can be applied.



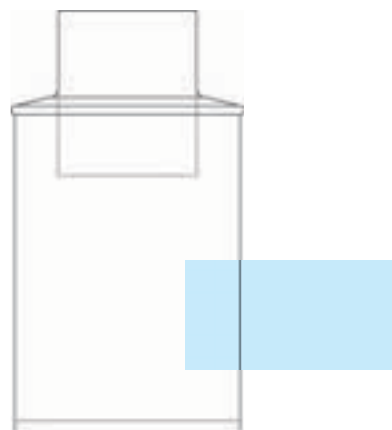
Size table for all finishing frames with insulation for 30 mm / 50 mm / 80 mm

Nominal diameter	30 mm Insulation (ND + 75 mm)	50 mm Insulation (ND + 115 mm)	80 mm Insulation (ND + 175 mm)
Ø 125	125/200	125/240	125/300
Ø 150	150/225	150/265	150/325
Ø 175	175/250	175/290	175/350
Ø 200	200/275	200/315	200/375
Ø 225	225/300	225/340	225/400
Ø 250	250/325	250/365	250/425
Ø 300	300/375	300/415	300/475
Ø 350	350/425	350/465	350/525

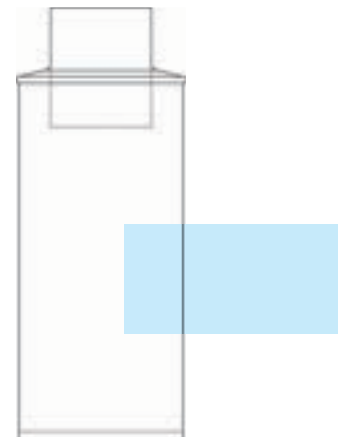
Type Z



Type Z 500

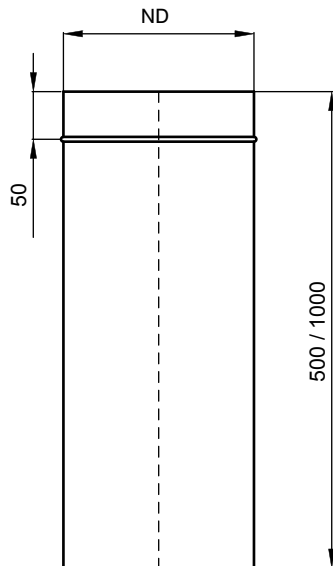


Type Z 1000



Jacket Pipes

with bead, 500 mm long or 1000 mm long

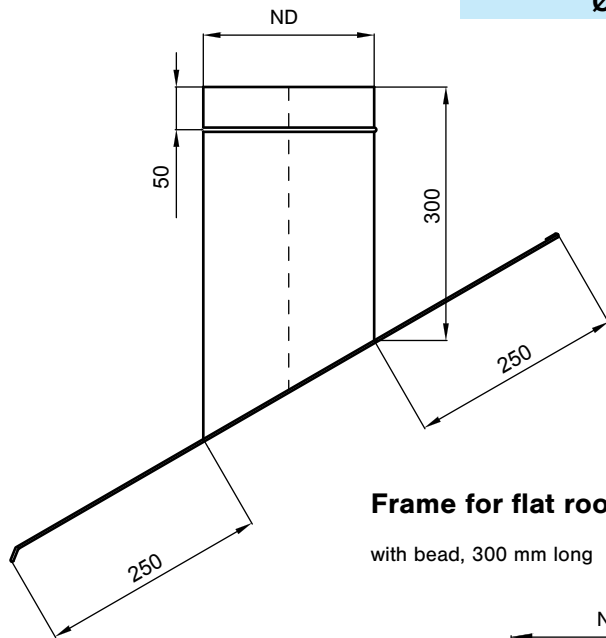


**Size table for:
Casing pipes and
frames**

Nominal diameter
Ø 240
Ø 265
Ø 290
Ø 300
Ø 315
Ø 325
Ø 340
Ø 350
Ø 365
Ø 375
Ø 400
Ø 415
Ø 425
Ø 465
Ø 475
Ø 525

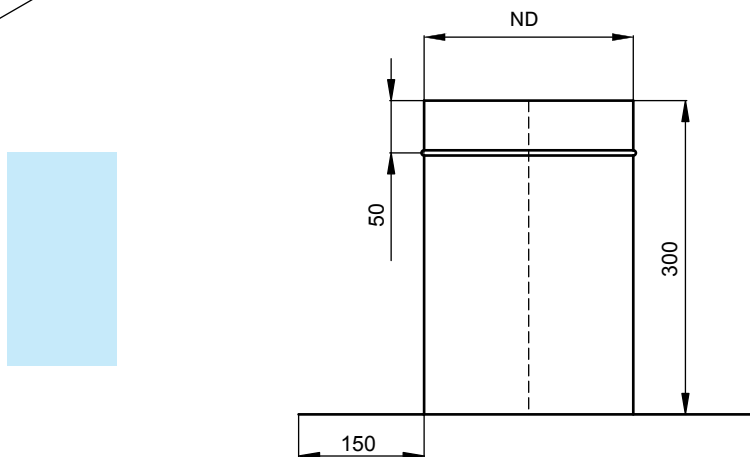
Frame for pitched roof

with bead, 300 mm long



Frame for flat roof

with bead, 300 mm long



Plaster cover

removable, with water deflector plate

