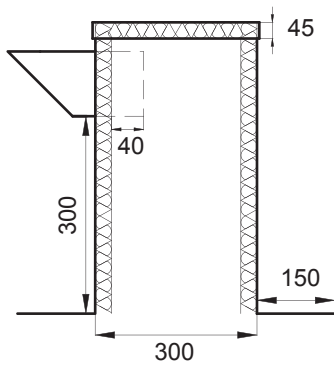


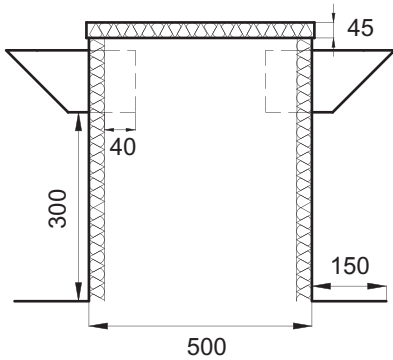
Roof hoods with lateral pipe nozzles

The roof hood with lateral pipe nozzles consists of three components:

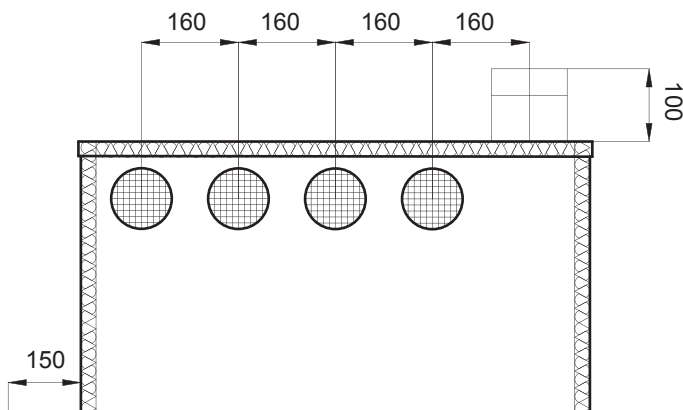
- Roof hood base, internally insulated by 1"
- Lateral ventilation pipe nozzles including internal mesh screen, possibly with vertically protruding sanitary nozzle
- Cover, removable and insulated by 1" on the underside



Number of nozzles	Base dimensions width x length
1	300 x 300 mm
2	300 x 360 mm
3	300 x 520 mm
4	300 x 680 mm
5	300 x 840 mm
6	300 x 1000 mm
7	300 x 1160 mm
8	300 x 1320 mm

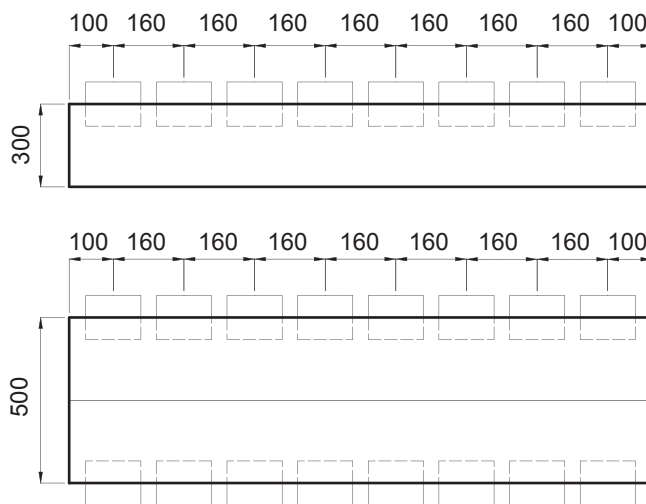


Number of nozzles per row	Base dimensions width x length
2+2	500 x 400 mm
3+3	500 x 520 mm
4+4	500 x 680 mm
5+5	500 x 840 mm
6+6	500 x 1000 mm
7+7	500 x 1160 mm
8+8	500 x 1320 mm



Roof hoods with lateral pipe nozzles

If pairs of 150 mm ventilation nozzles are used, the initial and axial dimensions will change



Cover removable and internally insulated with 1

Lateral ventilation pipe connections including internal mesh screen

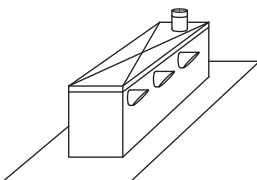
Roof hood base internally insulated with 1

Tender Text:

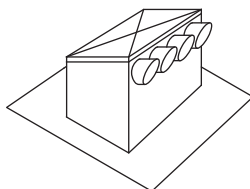
Roof hood made of copper with lateral pipe connections for pitched roof,
Type RQ 1/5, single-row
Size: 250 x 840 mm
3 x Nozzles ND Ø 100 mm Ventilation
1 x Nozzle ND Ø 125 mm Ventilation
1 x Nozzle ND Ø 110 mm
Sanitary Total rear height: 300 mm
Manufacturer: Ohnsorg

Variants:

Type RF
for flat roof



Type RQ
for pitched
parallel to the ridge



Type RL
for pitched
90° to the ridge

